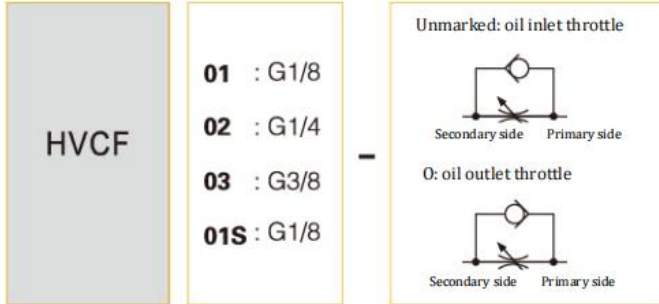


### Model Representation

HVCF ① - ② (Example: HVCF01-0)

① G thread size

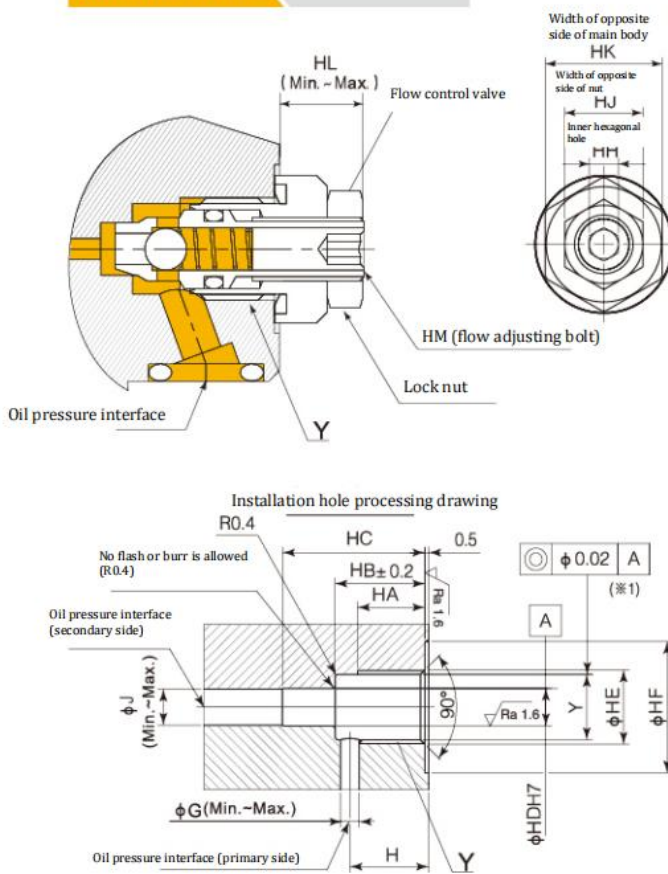


### Specification

Model (oil inlet throttle)	HVCF01	HVCF02	HVCF03	HVCF01S
Starting pressure (MPa)	0.04	0.04	0.04	0.04
Recommended tightening torque (N·m)	10	30	35	10
Model (oil outlet throttle)	HVCF01-O	HVCF02-O	HVCF03-O	
Starting pressure (MPa)	0.1	0.1	0.1	
Recommended tightening torque (N·m)	10	30	35	

Operating oil pressure range: 1 to 7MPa    Guaranteed pressure resistance: 10.5MPa  
 Operating ambient temperature: 0-70°C  
 Operating fluid: ordinary mineral oil-based hydraulic oil (equivalent to ISO-VG32)

### Overall Dimension



(mm)

Model	HVCF01 HVCF01-0	HVCF02 HVCF02-0	HVCF03 HVCF03-0	HVCF01S
HA	9	13	13	9
HB	13	18	19	11
HC	17.6	22.6	23.6	15.6
HD	5 <sup>+0.012</sup> <sub>0</sub>	6 <sup>+0.012</sup> <sub>0</sub>	8 <sup>+0.015</sup> <sub>0</sub>	5 <sup>+0.012</sup> <sub>0</sub>
HE	9.9	13.3	16.8	9.9
HF	17.5	21.5	24.5	17.5
G	2.5~3	3.5~5	5~6	1.5~2
H	10	15	15.5	10
J	2.5~5	3.5~6	5~8	2.5~5
Y	Rp 1/8	Rp 1/4	Rp 3/8	Rp 1/8
HH	3	5	6	3
HJ	8	10	14	8
HK	12	17	19	12
HL	7~11	7.5~11.5	8.5~12.5	8~11
HM	M6×0.75	M8×0.75	M10×0.75	M6×0.75

- Please use a box spanner or a socket wrench when disassembling.
- When the clamp is provided with the cushion piping, the flow control valve can be installed at the oil pressure port (G threaded part).
- Please adjust the flow rate when there is no oil pressure. Failure to do so will cause damage to the seal.
- The figure on the left shows the installation state of the oil inlet throttle (HVCF).

### Installation comparison table

1: Imp proper processing of the installation hole may result in failure to install or adjust the flow. (special attention should be paid to coaxiality of φ D hole processing and Y thread processing.)

Model	HVCF01	HVCF02	HVCF03	HVCF01S
Model of rotary clamp (double-acting type)	HCTU01, 02, 04, 06 HBTU02, 04, 06	HCTU10, 16 HBTU10, 16	HCTU25 HBTU25	-
Model of rotary clamp (single-acting type)	HCTT01, 02, 04, 06	HCTT10, 16	HCTT25	-
Model of connecting rod clamp (double-acting type)	HCLU02, 02, 04, 06 HBTU02, 04, 06	HCLU10, 16 HBTU10, 16	HCLU25 HBLU25	
Model of connecting rod clamp (single-acting type)	HCLT02, 04, 06	HCLT10, 16	HCLT25	-
Workpiece supporter model	-	-	-	HCSU HHD HH33-U/T